

APE

Rizhao Ape Fitness Co., Ltd.
Home and Commercial Gym Equipment Supplier

SOIKWIE®



rzapefitness.com

ABOUT US



Rizhao Ape Fitness Co., Ltd. is a leading fitness equipment and sports products company based in Rizhao, Shandong, China. Established in 2012, we specialize in R&D, manufacturing, marketing, and exporting.

Our clients come from all over the world, mainly from the United States, Canada, United Kingdom, Germany, France, Italy, Spain, Sweden, Serbia, Poland, South Africa, Japan, India, Korea, Indonesia, Thailand, Vietnam, Australia, New Zealand, Colombia, Argentina, Peru, Brazil, and other countries and regions..

Our annual sales exceed 10 million dollars, and we owe our success to our professional and strict quality and cost control. We invest at least 10% of our revenue in upgrading our products and molds every year, ensuring that we remain at the forefront of the fitness industry.

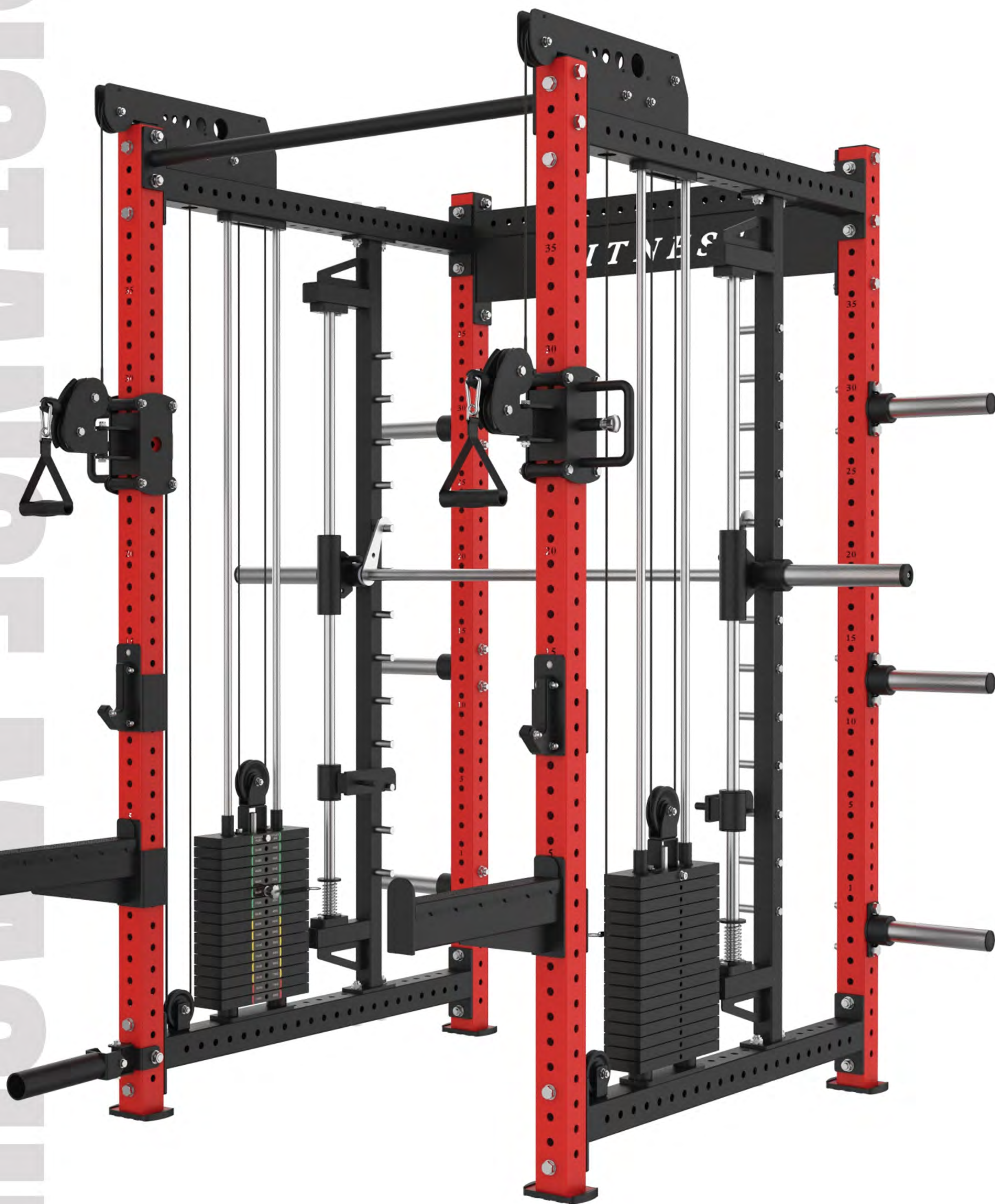
Our products cover a large range of home and commercial gym equipment, such as strength training equipment, cardio machines, resistance machines, functional training machines, and flexibility and recovery tools, etc.

As a responsible manufacturer and exporter, we take great care of every order, always putting ourselves in our customers' shoes. We are grateful for our customers' support, which has allowed us to expand and focus on research and development.

We are committed to improving day by day, and we believe that quality is the key to success. Providing our customers with the best products and services, and we look forward to working with you.



Smith Machine AP500



Net Weight: 410kg, incl. 2x80kg weight plates;
Color: Black+red, or customized;
Multi-functional training machine.



Model: AP400;
Net Weight: 335kg, incl. 2x80kg weight plates;
Color: Black+red, or customized.



Model: AP300;
Net Weight: 190kg;
Color: Black+red, or customized.



Model: AP100;
Dimension: 2320x1900x1540mm;
Net Weight: 120kg;
Color: Black+red, or customized.



Model: AP150;
Dimension: 2280x1240x1240mm;
Net Weight: 115kg;
Color: Black+red, or customized.



Model: AS5000;
Dimension: 2275x2005x2220mm;
Net Weight: 322kg;
Color: Black, or customized.



Model: AF-HSR001;
Dimension: 2300x1320x1300mm;
Tube Size: 75x75x3mm;
Net Weight: 160kg.



Model: AF-PR001;
Dimension: 2160x1476x1832mm;
Tube Size: 60x60x2.5mm;
Color: Black, red, or customized.



Name: Wall-Mount Rack;
Dimension: 1100x1650x2190mm;
Net Weight: 55kg;
Tube Size: 60x60x2mm.



Dimension: 970x280x220mm;
Net Weight: 40.3kg;
Color: Black, or customized.



Vertical Chest Press

Dimension: 1800x1860x1675mm;
N.W/G.W: 210/245kg;
Color: Black+red, or customized.



Frame Hip Thrust Trainer

Dimension: 1700x1800x1400mm;
N.W/G.W: 160/195kg;
Color: Black+red, or customized.



Pull Over

Dimension: 1700x1860x1500mm;
N.W/G.W: 155/190kg;
Color: Black+red, or customized.



Leg Extension & Curl

Dimension: 1270x1325x1200mm;
N.W/G.W: 80/110kg;
Color: Black+red, or customized.



Horizontal Versatile Bench

Dimension: 1700x1900x1140mm;
N.W/G.W: 115/140kg;
Color: Black+red, or customized.



T-Rower

Dimension: 2090x957x1400mm;
N.W: 93kg;
Color: Black+red, or customized.



Lateral Kneeling Leg Curl

Dimension: 1280x1600x1350mm;
N.W/G.W: 98/120kg;
Color: Black+red, or customized.



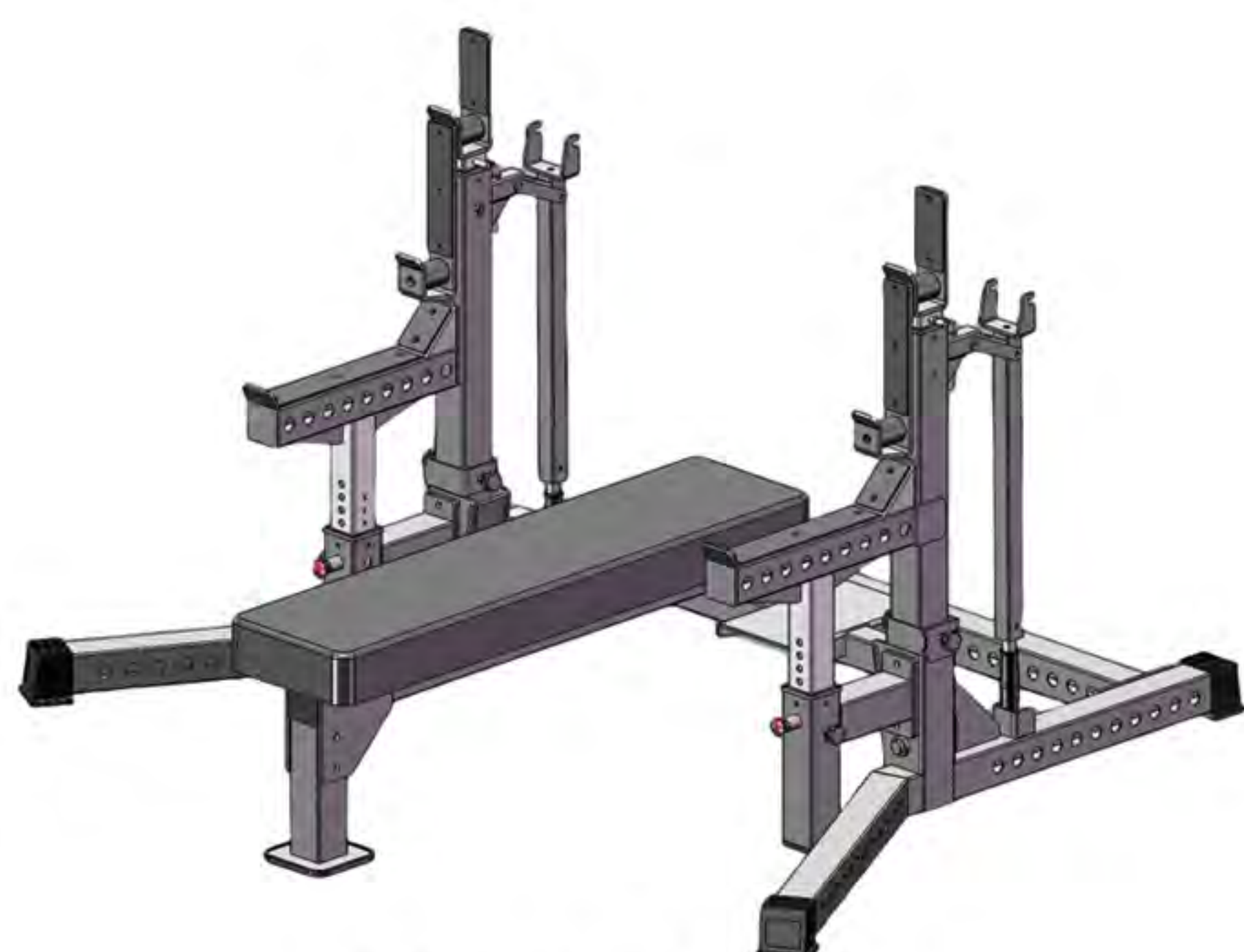
Hip Thrust

Dimension: 1520x1380x780mm;
N.W: 85kg;
Color: Black+red, or customized.



Hack Squat

Dimension: 1360x1500x1500mm;
N.W/G.W: 120/150kg;
Color: Black+red, or customized.



Combo Rack

Dimension: 2186x1810x1220/1942mm;
Net Weight: 220kg;
Color: Black, or customized.



Incline Chest Press

Dimension: 2090x1560x1230mm;
Net Weight: 127kg;
Color: Black, or customized.



Flat Chest Press

Dimension: 1780x1650x1220mm;
Net Weight: 94kg;
Color: Black, or customized.



Decline Chest Press

Dimension: 2090x1560x1230mm;
Net Weight: 120kg;
Color: Black, or customized.



Squat Rack

Dimension: 1730x1700x1780mm;
Net Weight: 110kg;
Color: Black, or customized.



45 Degree Leg Press

Dimension: 2520x1540x1355mm;
N.W/G.W: 245/275kg;
Color: Silver grey, or customized.



45 Degree Leg Press

Dimension: 2274x1293x1558mm;
Net Weight: 175kg;
Color: Black+red, or customized.



Hack Squat Leg Press

Dimension: 2190x1718x1478mm;
Net Weight: 158kg;
Color: Black+red, or customized.



Dual Function Leg Press

Dimension: 2192x1475x1478mm;
Net Weight: 195kg;
Color: Black+red, or customized.

High & Low Pulling Machine

Dimension: 2160x1185x2220mm
(LxWxH);
N.W/G.W: 226/266kg;
Weight Plates: 70kg;
Steel Tube Size: 50x100x2.5mm;
Color: Black, or customized;
Packing: By plywood case;
Packing Dimension: 2200x1100x400mm
(LxWxH);
Logo: SOKWE®, or customized logo.



Assisted Pull-Up & Dip

Dimension: 1630x1490x2220mm (LxWxH);
N.W/G.W: 340/380kg;
Weight Plates: 80kg;
Color: Black, or customized;
Logo: SOKWE®, or customized logo.



Multi-Jungle for 4

Dimension: 3717x1728x2320mm (LxWxH);
N.W: 631kg;
Weight Plates: 400kg;
Oval Steel Tube Size: 65x114xT2.5mm;
Color: Black, or customized;
Logo: SOKWE®, or customized logo.



Multi-Jungle for 5

Dimension: 4865x1728x2360mm (LxWxH);
N.W: 860kg;
Weight Plates: 500kg;
Oval Steel Tube Size: 65x114xT2.5mm;
Color: Black, or customized;
Logo: SOKWE®, or customized logo.



Multi-Jungle for 8

Dimension: 5488x1728x2360mm (LxWxH);
N.W: 1292kg;
Weight Plates: 800kg;
Oval Steel Tube Size: 65x114xT2.5mm;
Color: Black, or customized;
Logo: SOKWE®, or customized logo.

Competition Kettlebell



Designed to meet specific weight and dimension requirements, making them ideal for consistent training and competition preparation.



Competition Kettlebell

Weight: 8~32kg, 2kg increments,
32~48kg, 4kg increments;
Handle Dia.: 35mm;
Weight Tolerance: +/-200 grams.



Adjustable Competition Kbs

Weight: 12~32kg;
Handle Dia.: 35mm;
Weight Tolerance: +/-200 grams.



VF Competition Kettlebell

Weight: 8~32kg, 2kg increments,
32~48kg, 4kg increments;
Handle Dia.: 33mm;
Weight Tolerance: +/-200 grams.



Cast Iron Kettlebell

Weight: 2~32kg, 2kg increments,
32~48kg, 4kg increments;
Weight Tolerance: +/-2%;
Matte black powdercoat finish
with color coded handles.



Vinyl Kettlebell

Weight: 2~30kg, 2kg increments;
Weight Tolerance: +/-2%;
Color: Random, or customized;
Surface: Polished, or matte.



PU-Coated Kettlebell

Material: Steel+cast iron+PU;
Weight: 2~24kg, 2kg increments;
Weight Tolerance: +/-2%;
Color: Random, or customized.



Rubber Coated Kettlebell

Material: Steel+cast iron+rubber;
Weight: 4~32kg, 2kg increments,
5~70lb, 5lb increments;
Weight Tolerance: +/-2%.



Adjustable Kettlebell

Material: Steel;
Weight: 20lb, 2.5lb increments,
40lb, 5lb increments;
Weight Tolerance: +/-2%;
Color: White, black, or customized.



Soft Kettlebell

Material: PU+steel;
Weight: 4~16kg, 2kg increments;
Weight Tolerance: +/-2%;
Color: Black, or customized.



Rubber Hex Dumbbell

Material: Rubber+steel;
Weight: 1~10kg, 1kg increment,
2.5~60kg, 2.5kg increments;
Weight Tolerance: +/-2%.



Rubber Round Dumbbell

Material: Rubber+steel;
Weight: 2.5~50kg, 2.5kg increments;
Weight Tolerance: +/-2%.



Rubber Round Dumbbell

Material: Rubber+steel;
Weight: 2.5~50kg, 2.5kg increments;
Weight Tolerance: +/-2%.



TPU Square Dumbbell

Material: TPU+steel;
Weight: 2.5~50kg, 2.5kg increments;
Weight Tolerance: +/-2%.



TPU 10-Edges Dumbbell

Material: TPU+steel;
Weight: 2.5~50kg, 2.5kg increments;
Weight Tolerance: +/-2%.



TPU Round Dumbbell

Material: TPU+steel;
Weight: 2.5~50kg, 2.5kg increments;
Weight Tolerance: +/-2%.



CPU Dumbbell

Material: CPU+steel;
Weight: 2.5~50kg, 2.5kg increments;
Weight Tolerance: +/-2%;
Color: Red+white, or customized.



Vinyl Hex Dumbbell

Material: PVC+cast iron;
Weight: 1~10kg, 1kg increment;
Surface: Polished or matte;
Color: Random, or customized.



Vinyl Bone-Shape Dumbbell

Material: PVC+cast iron;
Weight: 1~10kg, 1kg increment;
Surface: Polished or matte;
Color: Random, or customized.



Adjustable Dumbbell

Size: 40x21x23cm;
Color: Black+red;
Weight: 24kg/52.5lb.



Adjustable Dumbbell Pro

Material: Steel;
Weight:
12/16/20/24/28/32/36/40/40.5kg;
Color: Black, or customized.



Adjustable Cast Iron Dbs

Material: Cast iron, steel;
Weight: 2.5~50kg, 2.5kg increments.



Adjustable Dumbbell

Weight: 2~12kg, 2.5kg increments,
5~25lb, 5lb increments;
Color: Black.



Adjustable Cast Iron Dbs Set

Material: Cast iron+steel;
Weight: 10/15/20/25/30/50kg;
Weight Tolerance: +/-3%;
Finishing:Electroplated, or black painted.



E-Coated Steel Dumbbell

Material: Steel;
Weight: 1~10kg, 1kg increment;
Weight Tolerance: +/-2%;
Finishing: Electroplated.



Chrome Dumbbell

Material: Steel;
Weight: 2.5~50kg, 2.5kg increments;
Weight Tolerance: +/-2%;
Finishing: Chromed.



Rubber Triangular Dumbbell

Material: Rubber+cast iron;
Weight: 1~10kg, 1kg increment;
Weight Tolerance: +/-2%;
Color: Black.



CPU Dumbbell

Material: CPU+steel;
Weight: 2.5~50kg, 2.5kg increments;
Weight Tolerance: +/-2%;
Color: Black.



Olympic Barbell

Men's Olympic Barbell:

Bearing: 700 / 1000 / 1200 / 1500 / 2000lb;

Material: 45# steel, or 42Crmo;

Size: 2200xφ28mm;

Needles: 4 / 6 / 8 / 10NK, 2 copper sleeves;

Finishing: Full hard chrome / black chrome + hard chrome / black chrome + QPQ / Cerokote + QPQ / camouflage + QPQ / black + Titanium plating.

Women's Olympic Barbell:

Bearing: 700 / 1000 / 1200 / 1500lb;

Material: 45# steel, or 42Crmo;

Size: 2010xφ25mm;

Needles: 4 / 6 / 8NK, 2 copper sleeves;

Finishing: Full hard chrome / black chrome + hard chrome / black chrome + QPQ / Cerokote + QPQ / camouflage + QPQ / black + Titanium plating.

Powerlifting Barbell:

Bearing: 1000 / 1200 / 1500 / 2000lb;

Material: 42Crmo;

Size: 2200xφ29mm;

Needles: 4 carbon bearings, 2 copper sleeves;

Finishing: Full hard chrome / black chrome + hard chrome / black chrome + QPQ / Cerokote + QPQ / camouflage + QPQ / black + Titanium plating.

Deadlifting Barbell:

Bearing: 1500lb;

Material: 42Crmo;

Size: 2300xφ27mm;

Needles: 4 carbon bearings, 2 copper sleeves;

Finishing: Full hard chrome / black chrome + hard chrome / black chrome + QPQ / Cerokote + QPQ / camouflage + QPQ / black + Titanium plating.



EZ Barbell

Material: A3 steel;
 Length: 1200mm;
 Bearing: 300lb;
 Handle Dia.:25/28/30mm;
 Finishing: Electroplating;
 2 needles, 2 copper sleeves.



W Barbell

Material: A3 steel;
 Length: 1200mm;
 Bearing: 300lb;
 Handle Dia.:25/28/30mm;
 Finishing: Electroplating;
 2 needles, 2 copper sleeves.



Hex Barbell

Material: A3 steel;
 Weight: 20/30/40kg;
 Length: 1400mm/54";
 Finishing: Electroplating.



OB-34 Barbell

Material: A3 steel;
 Length: 86cm;
 Weight: 11.5kg;
 Handle Dia.: 28mm;
 Finishing: Electroplating.



Glasses Bar

Material: A3 steel;
 Length: 1200mm;
 Handle Dia.: 25mm;
 Finishing:Electroplating;
 2 needles, 2 copper sleeves.



Safety Squat Barbell

Material: A3 steel;
 Length: 2200mm;
 Weight: 21.5kg;
 Handle Dia.: 30mm;
 Finishing: Electroplating.



Buffalo Bar

Length: 2440mm;
 Bearing: 2000lb;
 Weight: 22.7kg;
 Finishing: Hard chrome plating;
 2 needles, 2 copper sleeves.



OB-20 Barbell

Material: A3 steel;
 Length: 50cm;
 Handle Dia.: 28mm;
 Weight: 6kg;
 Finishing: Electroplating.



Swiss Bar

Material: A3 steel;
 Length: 2200mm;
 Handle Dia.: 28mm;
 Finishing: Electroplating.



Swiss Bar

Material: Q195 steel;
Weight: 21kg;
Length: 2075mm;
Handle Dia.: 30mm;
Finishing: Matte black coating.



Fixed Straight Barbell

Material: Rubber+steel;
Handle Length: 95cm;
Weight: 10~50kg, 5kg increments.



Fixed Curved Barbell

Material: Rubber+steel;
Handle Length: 95cm;
Weight: 10~50kg, 5kg increments.



Training Log Bar

Material: Steel;
Length: 1260/1780/1860mm;
Weight: 30/40/50kg;
Finishing: Matte black painted.



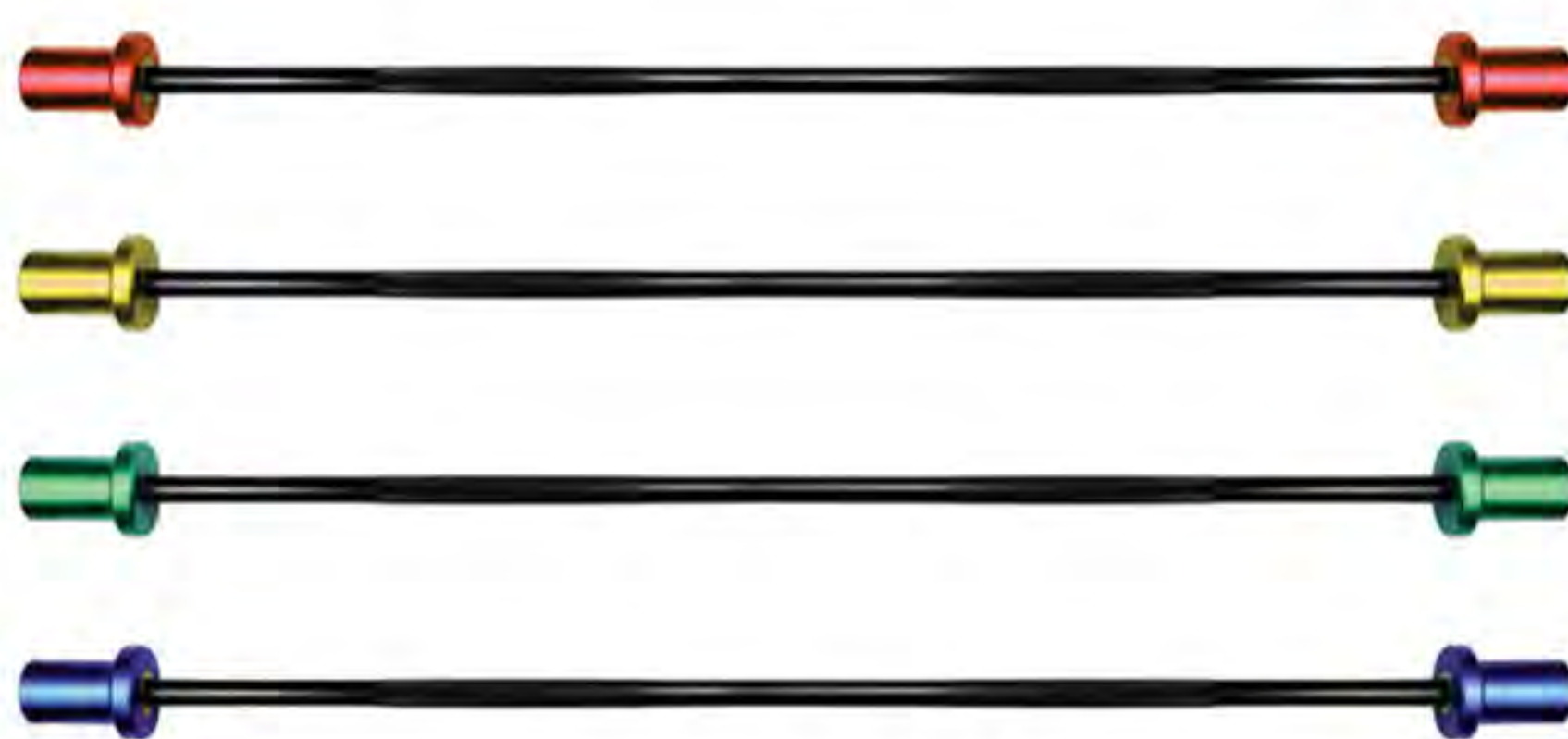
Adjustable Barbell Sets

Material: Rubber+steel;
Length: 1400mm;
Weight: 20/30kg.



Body Bar

Material: PE foam+iron;
Length: 1220mm;
Weight: 1~10kg, 1kg increment;
Color: Standard colors.



Kids Bar

Material: Aluminum;
Length: 1200mm;
Weight: 2.5kg;
Color: Standard colors.



Competition Lock Collar

Material: Premium steel;
Weight: 5kg/pair;
Weight Tolerance: +/-10 grams.



Plastic Lock Collar

Material: PVC;
Weight: 0.36kg/pair;
Color: Different colors.



Aluminum Lock Collar

Material: Aluminum;
Weight: 0.39kg/pair;
Color: Different colors.



Spring Collar

Material: Steel;
Weight: 0.37kg/pair;
3 circles, 6mm wire diameter.



Steel Clubbell

Material: Steel;
Weight: 2/4/6/8/10/12/15/20kg;
Color: Black.



Rubber-Coated Clubbell

Material: Rubber+steel;
Weight: 2/4/6/8/10/12/15/20kg;
Color: Black.



Solid Macebell

Material: Steel;
Weight: 4/5/6/7/8/9/10/12/15/20/25/30/35/40kg;
Color: Matte black.



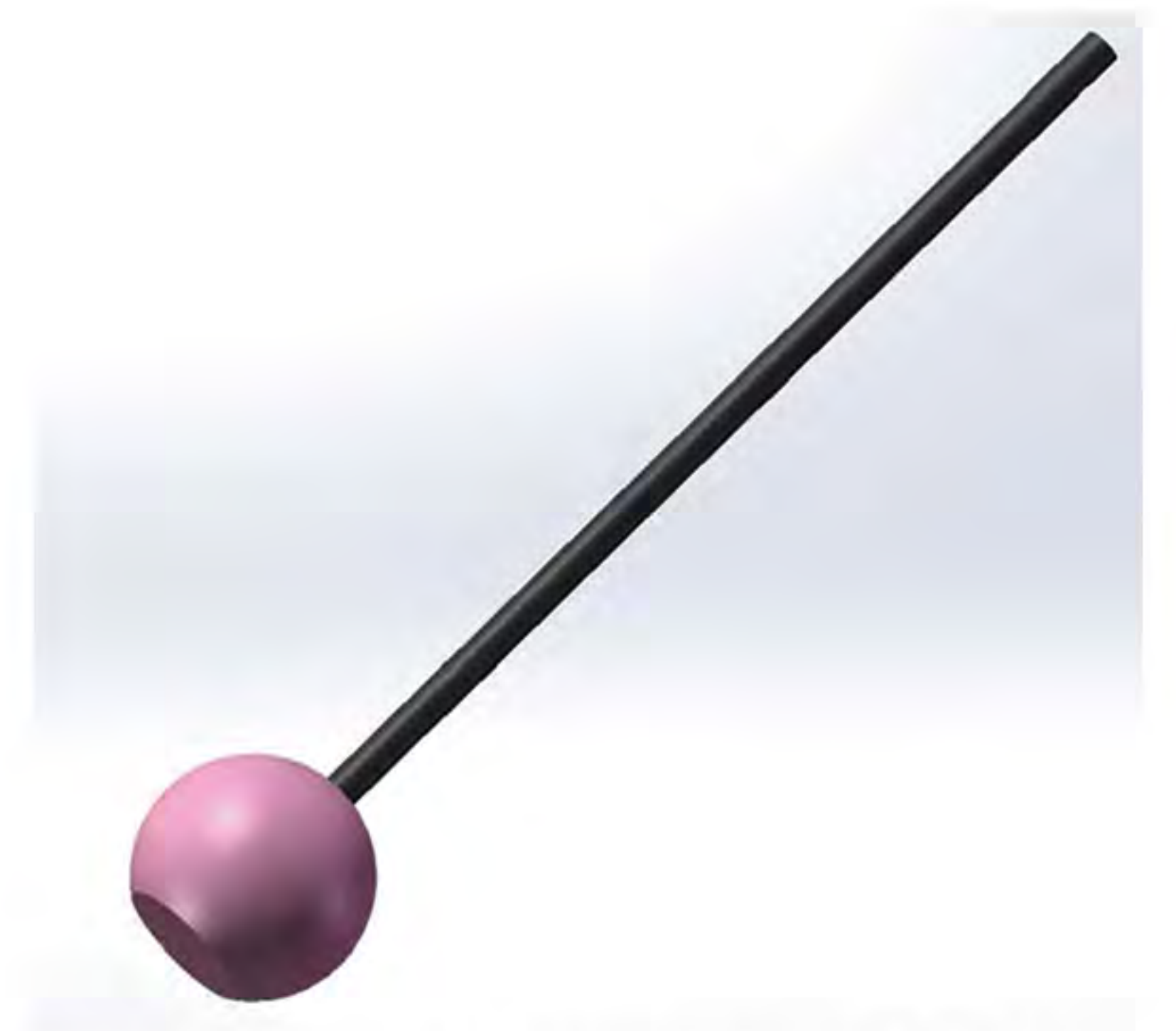
Rubber-Coated Macebell

Material: Rubber+steel;
Weight: 4/6/8/10/12/14/16/20/24kg;
Handle Dia.: 34mm;
Color: Black.



Rubber-Coated Macebell

Material: Rubber+steel;
Weight: 4/6/8/10/12/14/16/20/24kg;
Handle Dia.: 34mm;
Color: Different colors.



Competition Macebell

Material: Steel;
Weight: 8~40kg, 4kg increments;
Filled type;
Color: Standard colors.



Gym Hammer

Material: Steel;
Weight: 6/8/10/12/15/20/25/30kg;
Color: Matte black.



ViPR

Weight: 4/6/8/10/12kg;
Material: TPE.



Multi-Grip Trap Bar

Material: Steel;
Size: 1631x765mm;
N.W: 23.4kg;
Color: Black, or customized;
2 electroplated sleeves.

CALIBRATED CAST IRON WEIGHT PLATE



WEIGHT PLATES

Strict
Tolerances standards
+/-10 grams

Standardized sizes
High-quality ductile cast
iron



Calibrated Cast Iron Plate

Material: Ductile cast iron;
 Weight: 0.5/1/2.5/5/10/15/20/25kg;
 Weight Tolerance: +/-10 grams;
 Color: Standard colors.



Machined Cast Iron Plate

Material: Cast iron;
 Weight: 2.5/5/10/15/20/25kg,
 2.5/5/10/25/35/45lb;
 Color: Black.



Calibrated Steel Plate

Material: Premium steel;
 Weight: 0.25/0.5/1.25/2.5/
 5/10/15/20 /25kg;
 Finishing: Hard chrome plating.



PU Bumper Plate

Material: CPU+steel;
 Weight: 5/10/15/20/25kg,
 10/25/35/45/55lb;
 Plate Dia.: 450mm;
 Color: Standard colors.



Rubber-Coated Macebell

Material: Rubber+steel;
 Weight: 4/6/8/10/12/14/16/20/24kg;
 Handle Dia.: 34mm;
 Color: Different colors.



Rubber Bumper Plate

Material: Rubber;
 Weight: 5/10/15/20/25kg,
 10/25/35/45/55lb;
 Color: Black.



Rubber Bumper Plate

Material: Rubber;
 Weight: 5/10/15/20/25kg,
 10/25/35/45/55lb;
 Color: Standard colors.



7-Holes Bumper Plate

Material: Rubber+cast iron;
 Weight: 2.5/5/10/15/20/25kg;
 Color: Black.



Hi-Temp Bumper Plate

Material: Rubber;
 Weight: 5/10/15/20/25kg,
 10/25/35/45/55lb;
 Color: Black.



Tri-Grip Rubber Plate

Material: Rubber+cast iron;
Weight: 2.5/5/10/15/20/25kg;
Color: Black.



Tri-Grip Rubber Plate

Material: Rubber+cast iron;
Weight: 2.5/5/10/15/20/25kg;
Color: Black.



Tri-Grip Rubber Plate

Material: Rubber+cast iron;
Weight: 2.5/5/10/15/20/25kg;
Color: Black.



Tri-Grip Rubber Plate

Material: Rubber+cast iron;
Weight: 2.5/5/10/15/20/25kg;
Color: Standard colors.



Tri-Grip Rubber Plate

Material: Rubber+cast iron;
Weight: 2.5/5/10/15/20/25kg;
Color: Standard colors.



Tri-Grip TPU Plate

Material: TPU;
Weights: 2.5/5/10/15/20/25kg,
5/10/25/35/45/55lbs;
Color: Black.



Bi-Grip TPU Plate

Material: TPU;
Weights: 2.5/5/10/15/20/25kg,
5/10/25/35/45/55lbs;
Color: Black.



Urethane Grip Plate

Material: TPU;
Weights: 2.5/5/10/15/20/25kg,
5/10/25/35/45/55lbs;
Color: Black.



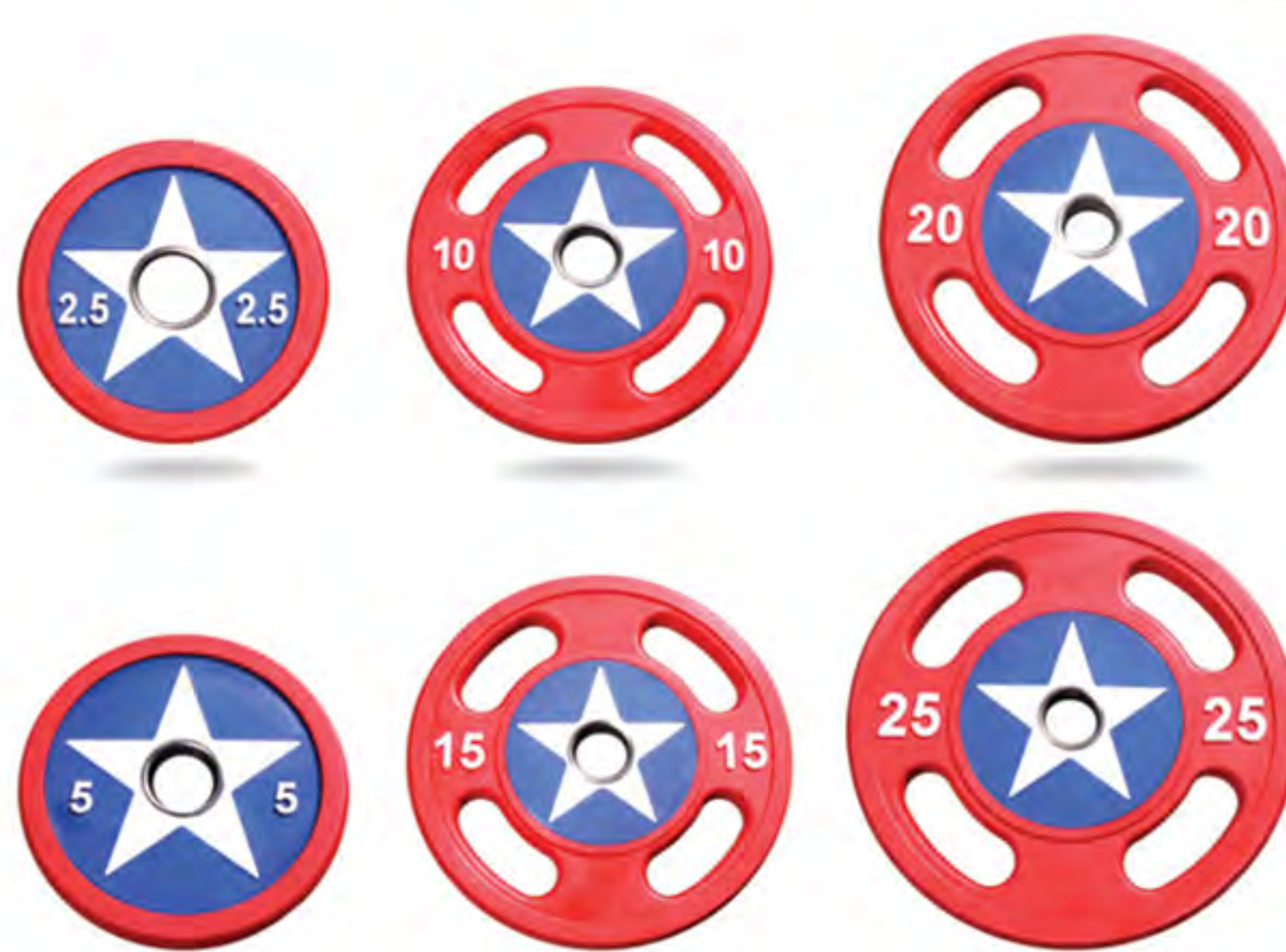
Camouflage Rubber Plate

Material: Rubber;
Weights: 5/10/15/20/25kg,
10/25/35/45/55lbs;
Color: Standard colors.



PU Weight Plate

Material: CPU;
Weight: 2.5/5/10/15/20/25kg;
Color: Red, blue, and white.



4-Grip PU Weight Plate

Material: CPU;
Weight: 10/15/20/25kg;
Color: Red, blue, and white.



Tri-Grip Cast Iron Plate

Material: Cast iron;
Weight: 2.5/5/10/15/20/25kg;
Finishing: Hammertone.



7-Grip Cast Iron Plate

Material: Cast iron;
Weight: 2.5/5/10/15/20/25kg;
Finishing: Hammertone.



7-Holes Bumper Plate

Material: Rubber+cast iron;
Weight: 2.5/5/10/15/20/25kg;
Color: Standard colors.



Bi-Grip Plate

Material: PEV;
Weight: 2.5/5/10/15/20/25kg;
Color: Black.



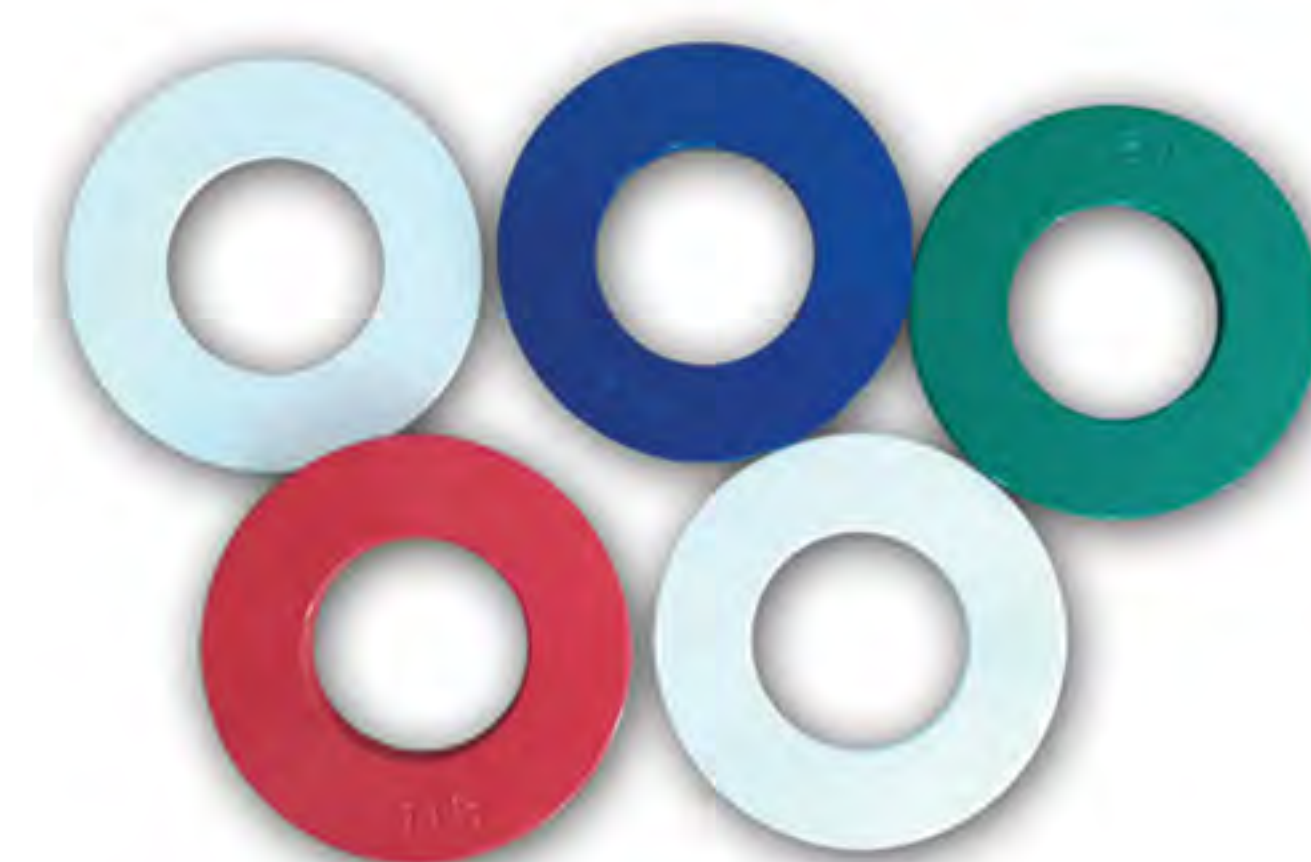
Technique Plate

Material: PE;
Weight: 2.5/5kg;
Color: Red, white.



Fractional Plate

Material: Rubber;
Weight: 0.5/1/1.5/2/2.5kg;
Color: Standard colors.



Fractional Plate

Material: Steel;
Weight: 0.25/0.5/0.75/1kg,
0.25/0.5/0.75/1/1.25lb;
Color: Standard colors.

COMMERCIAL ADJUSTABLE BENCH



Commercial Grade
Stable
No Wobbling

Efficiency
Wider Range of Exercises
Supported



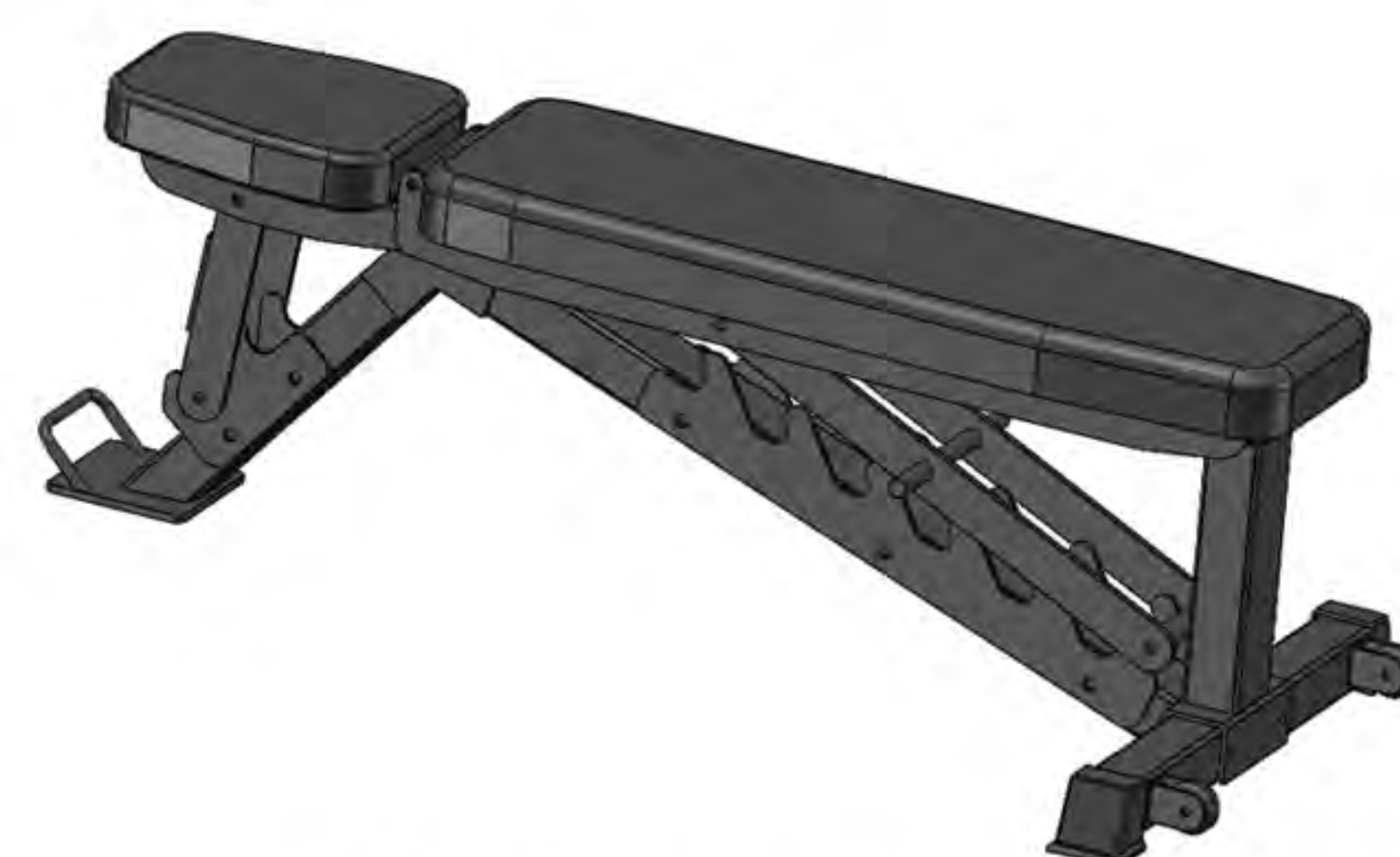
Adjustable Bench

Material: Steel+foam+PU;
 Type: Commercial grade;
 Weight: 43kg;
 Dimension: 1380x680x690mm;
 Color: Black.



Adjustable Bench

Material: Steel+foam+PU;
 Dimension: 1350x650x445mm;
 Weight: 40kg;
 Color: Black+red, or customized.



Adjustable Bench

Material: Steel+foam+PU;
 Type: Commercial grade;
 Weight: 47kg;
 Color: Black.



Adjustable Bench

Material: Steel+foam+PU;
 Type: Home gym grade;
 Weight: 24kg;
 Color: Black.



Adjustable Bench

Material: Steel+foam+PU;
 Type: Commercial grade;
 Weight: 30kg;
 Dimension: 1525x646x480mm;
 Color: Black.



Multi-Function Bench

Material: Steel+foam+PU;
 Weight: 60kg;
 Dimension: 1300x320x500mm;
 Color: Black.



Adjustable Abdominal Bench

Material: Steel+foam+PU;
 Weight: 40kg;
 Dimension: 1060x560x1030mm;
 Color: Black, red, or customized.



Utility Bench

Material: Steel+foam+PU;
 Dimension: 1130x585x750mm;
 Weight: 20kg;
 Color: Black, red, or customized.



Flat Bench

Material: Steel+foam+PU;
 Weight: 18kg;
 Dimension: 1315x560x400mm;
 Color: Black, red, or customized.





Motorless Treadmill

Type: Commercial grade;
 Dimension: 2000x900x1530mm;
 Running Area: 1500x480mm;
 Net Weight: 155kg;
 Gross Weight: 188kg;
 Max User Weight: 180kg;
 Motion Mode: 1~8 gears, 4 motion modes;
 Driving Mode: Gravity action;
 Speed Limit Range: 0~25km/hr;
 Brake Mode: Magnetic resistance adjustment;
 Running Belt: High-strength nylon skeleton.



Commercial Treadmill

Type: Commercial grade;
 Model: 5600;
 Frequency Converter: 3HP (continuous)/7HP(peak);
 AC Variable Frequency Motor:
 220V/8.6A/3.0HP/Max7.0HP;
 Display: 18.5' LCD Screen, or button type;
 Speed Range: 1.0-20km/h;
 Running Board Size: 1379x670x25mm;
 Function: Time, distance, speed, slope, calories, heart rate, scene, entertainment, WIFI, etc.
 Max User Weight: 200kg;
 Slope Range: 0-15%, electric adjustment.



Commercial Treadmill

Type: Commercial grade;
 Model: 7600;
 Motor Power: 3HP/KW, AC motor;
 Lifter Voltage: 220V;
 Speed Range: 1.0-20km/h;
 Display: 21.5' LCD screen, or LED screen;
 Running Board Size: 1310x590mm;
 Max User Weight: 200kg;
 LED Screen Display: Time, speed, heart rate, calories, slope;
 LCD Screen Display: Time, speed, slope, calories, heart rate, scene, entertainment, etc.



Wood Motorless Treadmill

Dimension: 1430x830x1600mm;
 Running Area: 1400x480mm;
 Net Weight: 89kg;
 Gross Weight: 116kg;
 Max User Weight: 120kg;
 Running Belt: High-strength nylon skeleton.



Stair Climbing Machine

Model: AS900;
 Display: LED;
 N.W: 214.5kg;
 Dimension: 1420x830x2090mm;
 Input: 220V, 8.6A;
 Step Area: 520.7cm²;
 Max User Weight: 180kg;
 Color: Black.



Stair Master

Model: AS600;
 Display: 2 options, LCD /LED;
 N.W/G.W: 128.5/143kg;
 Step Width: 402mm;
 Step Depth: 230mm;
 Step Height: 143mm;
 Dimension: 1350x720x1900mm;
 Color: Black.



Stair Climbing Machine

Display: Time, Speed, Calories, Mileage,
 Heart Rate;
 Step Width: 140x130mm;
 Input Voltage: 220V;
 Frequency: 5~100Hz;
 Braking Principle: Infrared automatic in-
 duction braking device;
 Maximum Load Bearing: 150kg;
 Dimension: 1450x880x2240mm;
 Net Weight: 205kg;
 Color: White, and black.



Stair Climbing Machine

N.W: 214.5kg;
 Dimension: L1420xW830xH2090mm;
 Display: LED;
 Input: 220V, 8.6A;
 Max User Weight: 150kg;
 Function: Fan, wireless charging;
 Color: Black.



Foldable Water Rower

Dimension: 2060x520x565mm;
Folded Dimension: 1145x520x670mm;
Water Tank Material: Polycarbonate;
N.W/G.W: 45/56kg.



Unfoldable Water Rower

Dimension: 2120x550x515mm;
Water Tank Material: Polycarbonate;
Max User Weight: 150kg;
N.W/G.W: 35/45kg.



Air Rower Pro

Dimension: 2710x620x995mm;
N.W/G.W: 32/37kg;
Resistance Levels: 0-32 gears;
Resistance Type: Air and magnet;
Folding Method: Foldable.



Air Rower

Dimension: 2710x620x995mm;
N.W/G.W: 29/32kg;
Resistance Levels: 0-10 gears;
Resistance Type: Air;
Folding Method: Foldable.



Dual Handle Magnetic Rower

Dimension: 1720x670x560mm;
Resistance: 14-level resistance with manual;
N.W/G.W: 29/34kg;
Rowing Way: Dual handle;
Flywheel Weight: 0.4kg aluminum wheel.



Air Rower

Model: AS450
Dimension: 2290x520x1220mm;
N.W/G.W: 53/73kg;
Resistance Type: Air.



Spinning Bike

Model: AL001;
Dimension: 1300x560x1200mm;
Resistance: Magnetic;
Flywheel Material: Aluminium alloy;
Transmission: By belt;
N.W/G.W: 54/60kg.



Air Bike Pro

Model: 0002;
Dimension: 1300x990x1240mm;
N.W/G.W: 56.7/63.5kg;
Resistance Type: Air;
Transmission: By chain;
Seat: Adjustable;
Max User Weight: 150kg.



Air Bike Pro

Dimension: 1293x592x1229mm;
N.W/G.W: 52/58kg;
Resistance Type: Air;
Transmission Type: Belt+chain.



Air Bike

Dimension: 1340x590x1250mm;
N.W/G.W: 49/55kg;
Resistance: Air;
Transmission Type: By chain.



Upright Air Bike

Dimension: 1250x520x1225mm;
Resistance: Air;
N.W/G.W: 58/62kg.



Spinning Bike

Dimension: 950x550x1140mm;
N.W: 65kg;
Resistance: Magnetic.



Spinning Bike

Dimension: 1290x660x1110mm;
Resistance: Magnetic;
N.W/G.W: 38/43kg.



Vertical Magnetic Bike

Dimension: 1110x560x1480mm;
Display: Speed, Time, Calories, etc.; Main
Material: Steel;
Resistance: Magnetic;
Gear: 32 levels;
N.W/G.W: 65/85kg.



Horizontal Magnetic Bike

Dimension: 1600x620x1280mm;
Display: Speed, Time, Calories, etc.;
Main Material: Steel;
Resistance: Magnetic;
Gear: 32 levels;
N.W/G.W: 81/101kg.



Skiing Machine Pro

Dimension: 1280x600x2150mm;
 N.W/G.W: 48.6/56kg;
 Resistance Levels: 0-32 gears;
 Resistance: Air and magnet.



Skiing Machine

Dimension: 1280x600x2150mm;
 N.W/G.W: 48.6/56kg;
 Resistance Levels: 0-10 gears;
 Resistance: Air.



AB Coaster

Dimension: 1800x600x1500mm;
 N.W: 61kg;
 Oval Tube Size: 50x100x2.0mm;
 Color: Different colors.



Tank Sled Pro

Dimension: 1220x850x975mm;
 N.W/G.W: 102/117kg;
 Resistance: Reluctance type;
 Gear: Dual resistance, 8 levels each;
 Max Loading: 200kg.



Elliptical Machine

Model: AF9200;
 Dimension: 2050x740x1710mm;
 Resistance Adjustment: Magnetic;
 N.W/G.W: 98/133kg;
 Max User Weight: 160kg.



Elliptical Machine

Model: AF9100;
 Dimension: 2120x760x1690mm;
 Resistance Adjustment: Magnetic;
 N.W/G.W: 57/63kg;
 Max User Weight: 160kg.



Rock Climbing Machine

Dimension: 1280x865x2360mm;
 Resistance: Reluctance type;
 Fan Weight: 5kg;
 Max User Weight: 200kg;
 N.W/G.W: 180/190kg.



Tyre Flip

Dimension: 1650x1220x510mm;
 Plates Addable: 2x5kg, 4x2.5kg.



Core Training Tyre

Weight: 80kg, 100kg.



Wooden Jump Box

Material: Poplar wood, pine wood;
Dimension: 24"x20"x30",
16"x20"x24";
Logo: By laser cut.



3 in 1 Plyo Jump Box

Material: PVC+Cotton;
Dimension: 24"x20"x30",
16"x20"x24";
Logo: By silk screen printing.



4 in 1 Plyo Jump Box

Material: PVC+Cotton;
Logo: By silk screen printing.



Steel Jump Box

Material: Steel;
Color: Red, or customized.



Slam Ball

Material: PVC;
Weight: 2~100kg, or 4~150lb;
Logo: By silk screen printing;
Type: Classic, or tyre.
Color: Black, or customized.



Yoga Mat

Material: PU, EVA, PVC,
NBR, etc.;
Color: Different colors, or
patterns;
Logo: By laser.



Battle Rope

Material: Nylon;
Size: 50mmx15m, 38mmx15m,
38mmx12m;
Weight: 15/12/9kg.



Battle Rope Anchor

Material: Steel;
Bearing: 300kg;
Color: Black.



AB Mat

Material: MDF+PVC+cotton;
Color: Black.



Skipping Rope

Handle Material:
Aluminum/plastic;
Rope Length: 3m;
Color: Different colors.



Resistance Band

Material: 100%
latex;Aluminum/plastic;
Color: Standard colors.



Medicine Ball

Material: PVC+PP cotton;
Weight: 1~10kg, or 4~30lb;
Logo: By silk screen printing;
Color: Different colors.



Tornado Ball

Material: Rubber, nylon rope;
Weight: 1/2/3/4/5/6/7/8/9kg;
Logo: Customized available.



Bosu Ball

Material: PVC+ABS;
Diameter: 46/58cm;
N.W: 4.46/6kg;
Surface: Polished, or with massage points.



Climbing Rope

Diameter: 38mm;
Length: 5/6/9m;
Color: Brown.



Yoga Ball

Material: PVC;
Size: 45/55/65/75/85cm;
Surface: Polished, or matte.



Yoga Roller

Material: EVA;
Size: 45x13cm;
N.W: 1.3kg;
Color: Red, blue, orange, pink, black, etc.



Yoga Block

Size: 23x15x7.5cm;
Material: EVA;
N.W: 0.12kg;
Color: Pink, green, blue, purple, etc.



Step Up Bench

Material: PP+TPR;
Dimension: 101x36x21cm;
N.W: 12kg;
Anti-slip design.



Step Up Bench

Material: PP;
Dimension: 98x37.5x20/25cm;
N.W: 8.3kg.



Step Up Bench

Material: PE+ABS;
Dimension: 110x42x10/15/21cm;
N.W: 9kg;
Color: Different colors.



Adjustable Step Up Bench

Material: PP+TPE;
N.W: 12.5kg;
Dimension: 112.5x34x21.2cm;
Color: Black+grey.



Cylinder Sand Bag

Material: PVC;
Weight: 5/10/15/20/25/30kg;
Color: Different colors.



Bulgarian Bag

Material: PVC;
Weight: 5/8/10/12/15/20/25kg;
Color: Different colors.



Landmine

Material: Steel;
Dimension: 480x400x100mm;
N.W: 18kg;
Color: Black.



Push Up Bar

Material: Steel;
Dimension: 500x650x830mm;
N.W: 8kg;
Color: Black, yellow, or customized.



Gym Rings

Material: Birch+nylon;
Ring Diameter: 23cm;
Ring Thickness: 28mm;
Straps Width: 2.5cm;
Straps Length: 4.6m, with scale.



Gym Rings

Material: ABS+nylon;
Ring Diameter: 23cm;
Ring Thickness: 28mm;
Straps Width: 2.5cm;
Straps Length: 4.6m, with scale.



Resistance Bands

Material: Latex;
Size: 208x0.45x1.3/2.1/3.2/4.5/
6.4/8.3cm;
Color: Red, black, purple, green,
blue, orange.
Straps Length: 4.6m, with scale.



Fabric Bands Set

Material: Latex;
Size: 8x76cm;
3 pieces per bag.



Elastic Ropes Set

Material: Latex;
Color: Red, black, purple,
green, blue, orange.



Weight Vest

Material: 1000D Nylon;
Color: Black;
Iron Plates Weight: 5/10/15kg.



Tactical Weight Vest

Material: 1000D Nylon;
Color: Black, military green, desert
yellow, camouflouge, etc.;
Iron Plates Weight: 2x4KG, or
2x5KG, etc.



TRX Suspension Belt

Material: Nylon, alloy steel;
Extension bands, door lock;
Color: Yellow, or pink;
More tools options.



Weightlifting Belt

Material: Leather+fiber cloth;
Color: Black, light pink, light purple,
light blue, etc.;
Surface: Polished, matte.



Lever Buckle

Material: Zinc alloy, or aluminum;
Color: Different colors, customized
available.



Kettlebell Rack

Material: Steel+rubber;
Type: 2 tiers;
Dimension: 1500x594x660mm;
Color: Black.



Round Dumbbell Rack

Material: Steel+PE;
Dimension: 1450x560x760mm;
Tube Size: 60x60x2.0mm;
Fits 10 pairs.



Round Dumbbell Rack

Material: Steel+PE;
Dimension: 1200x600x800mm;
Fits 6 pairs.



A-Shape Dumbbell Rack

Material: Steel;
Fits 3, 5, 6, 10 pairs;
Color: Black.



Cylinder Dumbbell Rack

Material: Steel;
Dimension: 500x500x1340mm;
N.W: 18kg;
Color: Black.



Portable Plate Rack

Material: Premium steel;
Color: Black;
Dimension: 1170x404x300mm;
Tube Size: 75x75x3.0mm.



Portable Plate Rack

Material: Premium steel;
Dimension: 1400x340x280mm;
Color: Black.



Portable Plate Rack

Material: Premium steel;
Size: 1060x530mm;
Color: Black.



Portable Plate Rack

Material: Steel+stainless steel;
Dimension: 1285x645x550mm;
Color: Black.



Multi-Function Rack

Material: Premium steel;
Dimension: 3150x450x1510mm;
Color: Black, or red.



9-Holes Barbell Rack

Material: Premium steel;
Color: Black;
Dimension: 480x480x200mm;
N.W: 26kg.



Medicine Ball Rack

Dimension: 1510x560x310mm;
N.W: 15kg;
Space Distance: 270mm;
Fits 5 pairs.



Fix Barbell Rack

Material: Steel;
Dimension: 960x785x1390mm;
N.W: 56kg;
Color: Black;
Fits 10 pairs.



Barbell Rack

Material: Premium steel;
Dimension: 330x115x90mm;
N.W: 2.3kg;
Color: Black.



Weightlifting Platform

Material: Bamboo+steel+rubber;
Dimension: 3100x2100x30/50mm.



GHD

Material: Steel+foam+PU;
Dimension: 1700x800x950mm;
N.W: 76kg;
Color: Black.



45 Degree GHD

Material: Steel+foam+PU;
Dimension: 900x1135x700mm;
N.W: 45kg;
Color: Black.



Seated Preacher Curl

Material: Steel+foam+PU;
Dimension: 755x1180x875mm;
N.W: 38kg;
Color: Black.



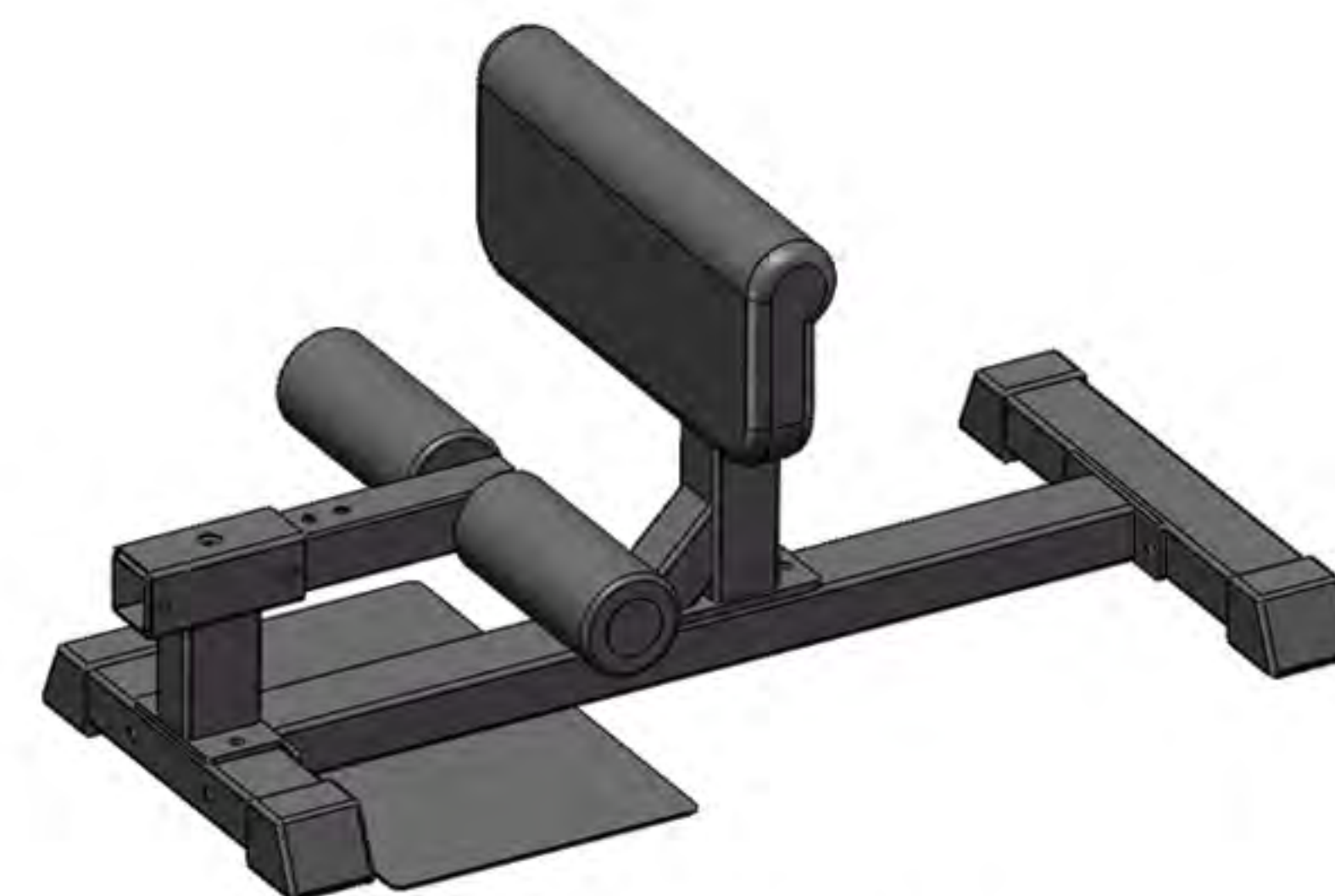
Pull-Up Bar

Material: Steel;
Color: Black.



Pull-Up Bar

Material: Steel;
Color: Black.



Sissy Squat

Dimension: 1100x1050x2100mm;
Tube Size: 50x50x1.5mm;
Color: Black.



Rubber Floor

Material: EPDM rubber;
Size: 1000x1000/500x500mm;
Thickness: 10~50mm;
Color: Black, or with color particles.



4" Timer

Display: LED, 6 digit;
Seven-segment Digital Tube,
2 Blue, 4 Red.



Mini Timer

Material: ABS;
Dimension: 180x48x23mm;
Digital Height: 1inch.



Jammer Arms

Material: Steel;
Color: Black.



J-Cups

Material: Steel+PE;
Color: Black.



Dip Bar

Material: Steel;
Color: Black.



Hooks

Material: Steel;
Color: Black.



Mag Grips

Black vinyl coated;
Color: Black.



Cable Attachments

Material: Steel, rubber, nylon.



ATTACHMENTS & PILATES REFORMER

APE

RIZHAO APE FITNESS CO., LTD.

Address: No. 252 Beijing Road, Rizhao, Shandong, China

Tel: +86 134 6549 8639

E-mail: info@rzapefitness.com

<https://rzapefitness.com>

